

2-slot MTCA.4 1U Chassis

General Description:

The 2-slot MTCA.4 1U chassis is ready to use as data acquisition system. The system is prepared with two MTCA.4 AMC slots and 2MTCA.4 RTM Slots. The chassis has a MTCA.0 slot for using a CPU, single width or double width. There is further a management board fixed installed. It is necessary to configure the order code at first for preinstalled PCIe, Timing and/or GBeth management. The System is also prepared to install an additional 2Slot RF Backplane for LLRF applications.

The Chassis is usable for Typical applications like:

- Beam diagnostic
- Test equipment
- Automation Industry
- LLRF system

On request the system can be equipped with a redundant AC power supply (slot available).

EICSYS offers customization or extension of firmware / drivers / software according to customer needs.



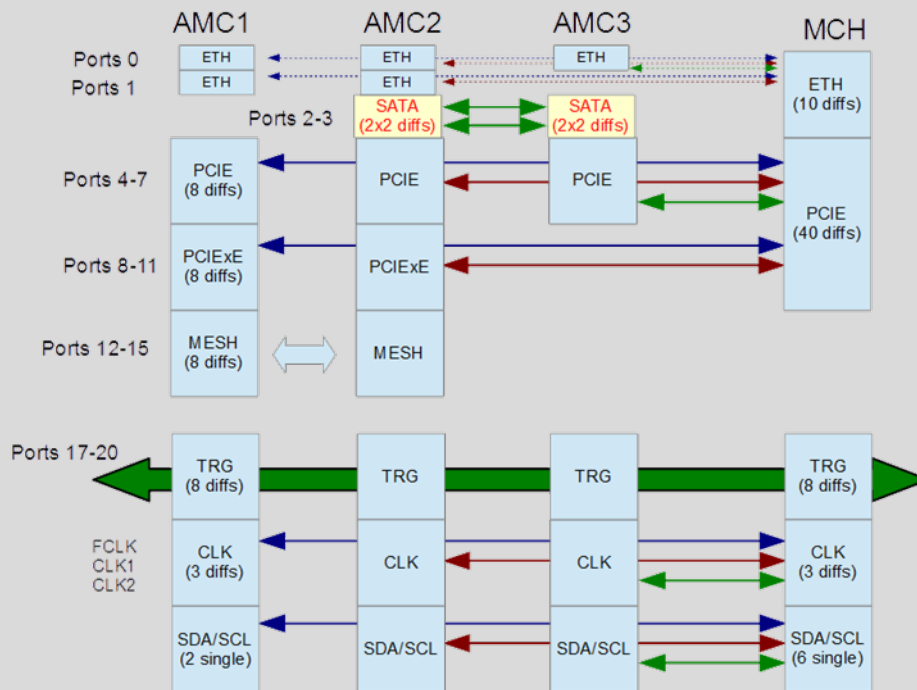
Front and rear view of 2-slot MTCA.4 Chassis 1U

Specification is subject to change without further notice

eicSys GmbH, Sylvesterallee 2, 22525 Hamburg
Tel. 040-53339984; email: contact@eicsys.eu

Basic Configuration		
MTCA.4 slots	AMC Slot 1	μRTM-slot 1
	AMC slot 2	μRTM-slot 2
AMC. 1	AMC slot	MTCA.0 slot
Crate management	Standard configuration	1GB Ethernet
	Extended Configuration	PCIe Gen.2 x4 switch
	Clock distribution	Module supports external timing interface (trigger, clock) connected via data lines on Ports 17-20
	Timing	FCLK, TCLKA and TCLKB are distributed to all AMC slots IEEE1588 receiver as option available
Power supply	AC: 95-240V 300W option: redundant power supply	

Block diagram backplane



Ordering information	2-slot crate – ECH-2S-1U-MTCA.4 boards: please contact eicSys for the final configuration	
Dimensions	Width, Height, Depth	19" (84HP), 1U, 374mm
	Weight	4750g

Datasheet – 13.08.2015, Rev. 1.2

Developed by:
eicSys Hamburg